



SUBARU



THE ALL-NEW CROSSTREK

LIVE THE

CROSSTREK LIFE

MAKE LIVING EXCITING

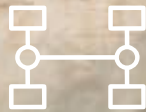
Ready to be inspired
& make living exciting?

The all-new Subaru Crosstrek
delivers an irresistible blend of
attitude and unmatched capability.

In 2012, Subaru took the best things they have ever done and put it into one of the best things they have ever done to create the small SUV category with the launch of Subaru XV.

And now Subaru creates history again, setting a new benchmark to redefine the category it pioneered. The result is the next generation Subaru XV, albeit wearing a different nameplate. Introducing the all-new Symmetrical All-Wheel Drive Subaru Crosstrek.





Symmetrical AWD



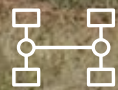
Boxer Engine



220mm
Ground Clearance

Own It

Designed for those who embrace individuality, Subaru Crosstrek makes living exciting with flexible purchase options and distinctive accessories to embrace your everyday - and every adventure. Live in the now with Subaru Financial Services which could help bring you and your new Subaru Crosstrek together faster, with competitive finance options available. Get the keys, then relax knowing you're covered by our 5-Year/150 000km warranty.



Symmetrical AWD



EyeSight® Driver Assist



Wireless Connectivity



Wireless Charging

Human-centred Design

Taking a human centred design approach, the all-new Subaru Crosstrek has been years in research and development. In collaboration with medical schools, Subaru designers studied the structure and movement of the human body, to create a small SUV that is intuitive to your needs. From supportive seating to an innovative dashboard design that reflects how sound and visual information is taken in by the human body. All to ensure that you and the all-new Subaru Crosstrek are in sync.

In Tune With You

Intuitively designed to respond to your needs, the cabin continues the evolution of driver ergonomics paired with striking aesthetics. The all-new Subaru Crosstrek introduces both wireless smartphone connectivity with Apple CarPlay® and Android Auto™ and the ultimate convenience of wireless Qi charger. The dashboard design follows the driver's natural focus, with key functions front and centre, and an 11.6" infotainment touchscreen positioned comfortably within the driver's view. Enjoy the journey like never before with the all-new Subaru Crosstrek.

Got Your Back

Cutting-edge safety features, including the latest generation EyeSight® Driver Assist system and Driver Monitoring System - Driver Focus (DMS) 4 to offer another layer of safety and help reduce the chance of accidents. The feeling of confidence is further underpinned by the Subaru Global Platform, with a refined inner frame that increases strength and delivers a quieter and more comfortable ride. With 8 airbags the all-new Subaru Crosstrek really is that friend that has got your back.

Ready for anything

Ready to make every day what you want it to be, the all-new Symmetrical All-Wheel Drive Subaru Crosstrek is capable of taking on almost any adventure, anywhere, anytime. It's unrivalled capability is driven by a sporty yet refined direct injection 2.0-litre Boxer engine and a Lineartronic® transmission with 8-speed paddle shift manual mode.

Dramatic angles, rugged cladding and roof rails are offset by unashamedly bold colours. Add the updated Subaru X-Mode for the ultimate in traction, confidence and class-leading ground clearance - there's no stopping the all-new Subaru Crosstrek.



Second Pair Of Eyes

The fourth generation EyeSight® Driver Assist system, with enhanced safety functionality.

EyeSight® Driver Assist Technology is the culmination of everything Subaru engineers know about safety. Adding confidence to every Trip, EyeSight® monitors traffic movement, optimizes cruise control, and warns you if you sway outside your lane. The Pre-Collision Braking feature can even apply full braking force in emergency situations, helping you avoid or reduce frontal impacts.

The core of the EyeSight® system is its set of dual color cameras. Intelligently and unobtrusively placed near the rear view mirror, they scan the road for unanticipated dangers.

This advanced system provides extra awareness, safety, and added peace of mind every time you drive.



 **EyeSight**
Driver Assist Technology

ADAPTIVE CRUISE CONTROL



Traffic doesn't always flow smoothly, so EyeSight® doesn't only keep a set speed. The system looks ahead and helps automatically adjust to keep your distance, even in stop-and-go highway traffic.

PRE-COLLISION BRAKING



A driver ahead unexpectedly hits the brakes or cuts you off. EyeSight warns you, applies the brakes and can even help you stop your Subaru.

PRE-COLLISION THROTTLE MANAGEMENT



If you put the car in Drive instead of Reverse and EyeSight® sees an object in your path, it cuts power to help you avoid accelerating into it.

LANE DEPARTURE AND SWAY WARNING



You accidentally drift to the edge of your lane and begin to cross into another lane. EyeSight® watches for lane markers and chimes to warn you before you leave your lane.



11.6-inch Touchscreen With Wireless Apple Carplay And Android Auto



Wireless Smartphone Charger



USB-A And USB-C Front Ports



Spacious Cargo Area And Wide Rear Gate

The image shows the interior of a car, specifically the dashboard and center console area. A large, vertical touchscreen display is the central focus, showing a navigation and infotainment interface. The screen displays 'OUT TEMP 25 °C', '12:00', and various driving modes like 'SNOW', 'DIRT', 'Normal', and 'DEEP SN'. Below these are icons for 'Map', 'Radio', 'Phone', 'Auto Start', 'Settings', and 'Apple CarPlay'. The dashboard is dark-colored with a textured pattern. There are air vents and a 'TUNE' knob to the left of the screen. The overall design is modern and functional.

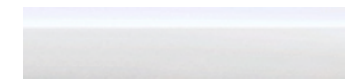
in sync with you

In collaboration with expert medical schools, Subaru designers studied the body's natural movement to take a human-centred design approach to the intuitive interior. From the position of the new centre information display – featuring an 11.6" touchscreen and 6-speaker audio system, to the supportive seating and superior driver ergonomics. Body comfort is also enhanced by the refined Subaru Global Platform inner frame, which delivers a quieter and more comfortable ride.

Smartphone connectivity is effortless with new wireless Apple CarPlay® and Android Auto,™ and a new wireless Qi Charger delivers the ultimate in convenience. The new panoramic 360 degree view monitor on selected variants gives you a front, side and rear view of the all-new Subaru Crosstrek to help keep you in the picture.



EXTERIOR COLOURS



CRYSTAL WHITE Pearl



ICE SILVER Metallic



MAGNETITE GREY Metallic



CRYSTAL BLACK Silica



PURE RED



OFFSHORE BLUE Metallic



SUN BLAZE Pearl



OASIS BLUE



SAPPHIRE BLUE Pearl

Note: Paint colours are representative only and subject to variation due to the printing process or screen settings.

MODEL SPECIFICATIONS

iL

iS

Wheels and Tyres		
Tyres (width, profile, size, load index and speed rating)	225/60R17 99H	225/55R18 98V
Collision Avoidance		
Rear view reverse camera	•	•
Vehicle Dynamics Control system (VDC) featuring	•	•
Active Torque Vectoring system	•	•
Anti-lock Braking System (ABS)	•	•
Brake Assist	•	•
Electronic Brakeforce Distribution (EBD)	•	•
Electronic Stability Control (ESC)	•	•
Traction Control System (TCS)	•	•
Vision Assist featuring:	•	•
Blind Spot Monitor (BSM)	•	•
Front View Monitor (FVM)		•
High Beam Assist (HBA)		•
Lane Change Assist (LCA)	•	•
Panoramic 360 Degree View Monitor		•
Rear Cross Traffic Alert (RCTA)	•	•
Rear Parking sensors	•	•
Reverse Automatic Braking (RAB)	•	•
Side View Monitors (SVM)		•
Intelligent Driving Dynamics		
EyeSight® Driver Assist System	•	•
Subaru Intelligent Drive (SI-Drive) - 2 modes	•	•
Wide-angle Monocular Camera	•	•
X-Mode	•	2 Mode

POWER

115kW
@6000rpm

TORQUE

196Nm
@4000rpm

ECONOMY

7.2L
/100km
combined

LUGGAGE SPACE

320 L

MODEL SPECIFICATIONS

	iL	iS
--	----	----

Exterior		
Electric sunroof		•
Lighting - Exterior		
Daytime Running Lights	Halogen	LED
Headlights - LED headlights with auto off	•	
Headlights - self-levelling LED with auto off		Dusk-sensing
Steering Responsive Headlights (SRH)		•
Convenience		
Rain-sensing front windscreen wipers	•	•
Smart key and push-start ignition	•	•
Interior Trims		
Seat trim - cloth	Premium cloth	
Seat trim - leather		•
Seating Extras		
60/40 split-folding rear seats	•	•
8-way power seat - driver		•
Electric lumbar support - driver		•
Manual seat height lifter - driver	•	

POWER

115kW
@6000rpm

TORQUE

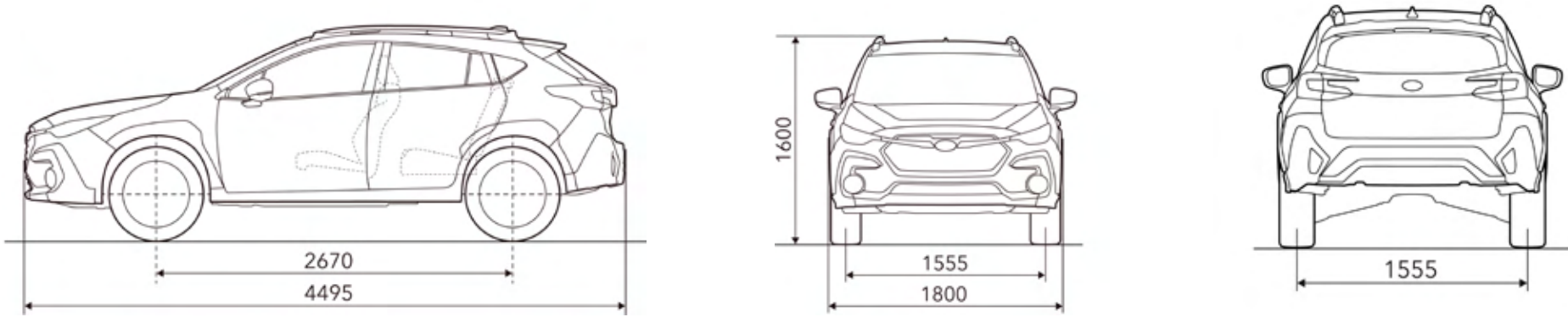
196Nm
@4000rpm

ECONOMY

7.2L
/100km
combined

LUGGAGE SPACE

320 L



Subaru Southern Africa (Pty) Ltd. reserves the right to change and modify equipment or specifications at any time without prior notice. The availability of specifications listed in the brochure will differ from model to model. Some models are shown for illustration purposes only and might differ from those available in Southern Africa. Subject to error. For precise information, please contact your Subaru Dealership



IMPORTANT NOTICE - PLEASE READ:

All specifications and features set out in this brochure are subject to change without notice. All imagery is of overseas models and indicative only. All information must be confirmed with your Subaru Retailer at time of order or prior to delivery, as specifications, colours, applicability and availability may change over time. Subaru Southern Africa reserves the right to change and/or discontinue, without notice, colours, materials, equipment, specifications. To the extent permitted by law, Subaru Southern Africa will not be liable for any damage or loss incurred from relying on the information and images contained in this material. © 2023 Subaru Southern Africa (Pty) Ltd. All rights reserved.

